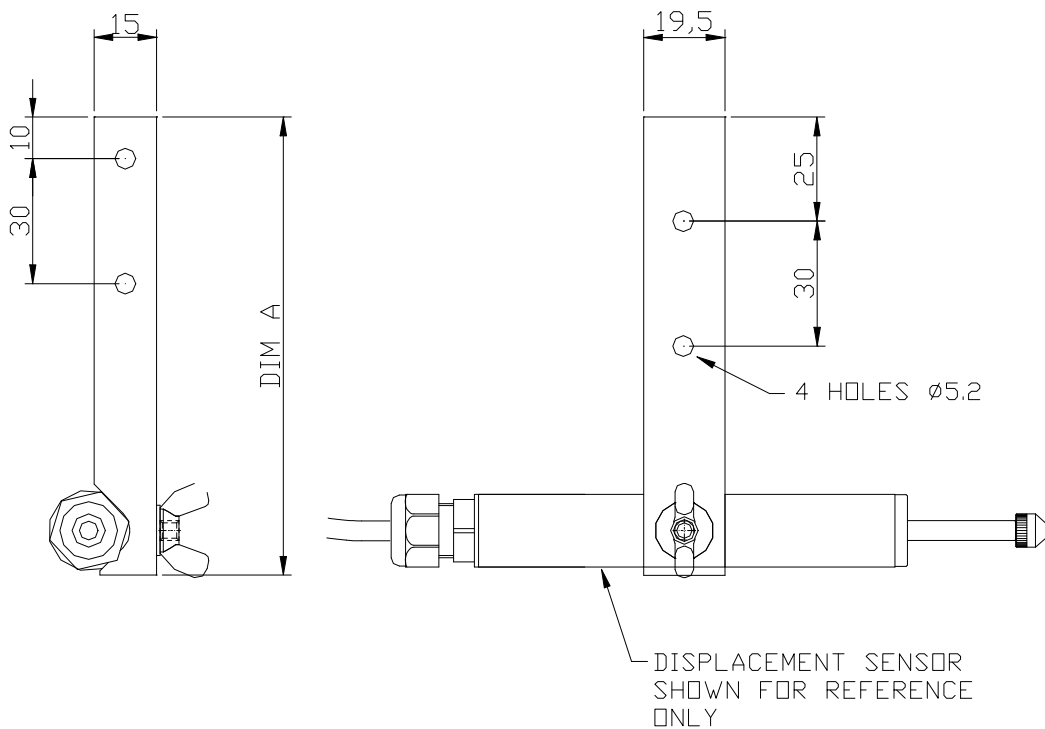


## Displacement Sensor Accessory

Single End Clamp Types    SMC 17  
    SMC 20  
    SMC 25

Materials Clamp Bar Anodised Aluminium  
 Ring & Fixings Stainless Steel

Note Clamp bar can be machined to suit applications



TYPE	DIM A	SENSOR TYPE/DIA
SMC-17	110	LDS-xx /ø17.4
SMC-19	110	LD20-xx/ø19
SMC-25	115	LDS-100/ø25.4

